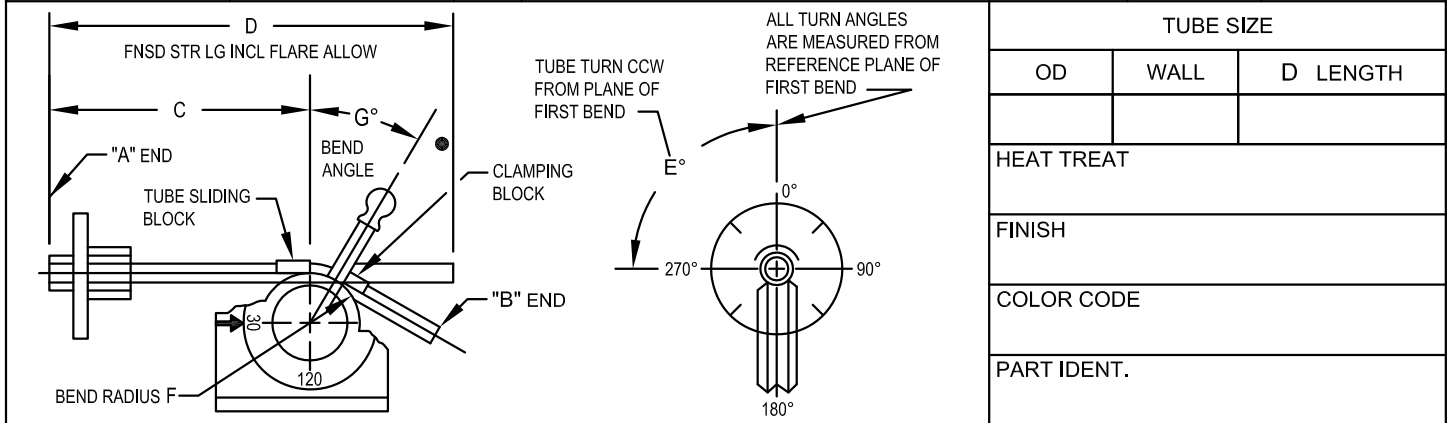


APPLICATION		REVISION HISTORY			
NEXT ASSY	USED ON	LTR	DESCRIPTION	DATE	APPROVED



BEND NO.	C DISTANCE	F BEND RADIUS	E TURN ANGLE	G BEND ANGLE	LIMIT WRINKLES, FLATNESS PER SAE AS33611		
					END	FITTING	TYPE
					A	CAP SLEEVE	
					B	CAP SLEEVE	
					TYPE OF END		
					1 FLARE	SAE AS4330	
					2 DBL FLARE	SAE AS33583	
					3 BEAD	SAE AS5131	
					4 SQUARE		
					5 NOTED		
					PROTECT ENDS PER NAS847		

NOTES: 1. ADD _____ INCHES TO D LENGTH AT "A" END FOR CLAMPING, ETC WHEN REQUIRED
 2. ADD _____ INCHES TO D LENGTH AT "B" END FOR FIRST BEND WHEN REQUIRED

DASH NO. _____

UNLESS OTHERWISE SPECIFIED DIMENSIONS ARE IN INCHES TOLERANCES ON FRACTION DECIMALS ANGELS ± .XX ± ± .XXX ±	CONTRACT NO.		U.S. AIR FORCE		
	DRAFTER	DATE			
	CHECKER		TITLE		
	PROJECT ENGINEER				
	ENG APPROVAL				
AF AUTHENTICATION		SIZE			
AF RELEASE		SCALE	NONE	SHEET	1 OF